

## Easy and Reliable—Just What Your Office Needs

### High Productivity

- Direct printing of TIFF/JPEG/PDF/XPS files without using the printer driver
- Durable metal frame designed for longevity

### Exceptional Ease of Use

- 2.8-inch colour LCD touchscreen for easy access
- Front USB port allows walk-up printing of popular file formats without a computer
- SRDM (Sharp Remote Device Manager)\* software allows centralised control of networked printers and MFPs
- Sharp's printer driver setup window features a user-friendly design
- Compact size (approx. 399 x 390 x 264 mm)
- Energy management features reduce power consumption during active use or in sleep mode

### Secure Information Sharing

- Wireless connectivity enables easy access from mobile devices and flexible printer placement (option)
- Wi-Fi Direct® enables easy one-to-one connection between the MFP and a mobile device (option)
- Supports the AirPrint printing feature in Apple devices
- Multi-layered security features keep information safe—in the document, on the device, and over the network
- Trusted Platform Module (option) delivers authentication, system integrity checks, and encryption capabilities
- Standard Confidential Print feature helps ensure output security via simple PIN

\* Contact a Sharp customer representative for availability and other details.



## SPECIFICATIONS (tentative)

General		Printer	
Type	Desktop	Resolution	1,200 x 1,200 dpi, 2,400 (equivalent) x 600 dpi, 1,200 (equivalent) x 600 dpi, 600 x 600 dpi, 300 x 300 dpi
Engine speed	A4*1: Max. 44 ppm	Interface	USB 2.0 (high-speed), 10Base-T/100Base-TX/1000Base-T, wireless LAN (IEEE 802.11 a/ac/b/g/n)**4
Control panel display	2.8-inch colour LCD touchscreen	Supported OS	Windows Server 2012 R2, Windows Server 2016, Windows Server 2019, Windows Server 2022, Windows 8.1, Windows 10, Windows 11
Paper size	Max. A4, min. A6	Mac OS 10.15, 11, 12	
Paper capacity (75 g/m <sup>2</sup> )	Standard: 350 sheets (250-sheet tray and 100-sheet multipurpose feeder) Maximum: 2,000 sheets (350 sheets & optional 550-sheet tray x 3)	Network protocols	TCP/IP
Paper weight	Trays 1-4: 60 g/m <sup>2</sup> to 120 g/m <sup>2</sup> Multipurpose feeder: 60 g/m <sup>2</sup> to 216 g/m <sup>2</sup>	Printing protocols	LPD, Raw TCP (port 9100), enhanced IP (port 9400), FTP, TFTP, IPP
First print time*2	6.0 sec.	PDL	PCL 5e/PCL 6 emulation, PostScript 3 emulation
Memory	Standard: 512 MB Option: 128 GB ISD*3	Available fonts	94 fonts for PCL, 163 fonts for PostScript 3 emulation
Dimensions (W x D x H)	399 x 389.4 x 263.1 mm		
Weight (approx.)	13.5 kg		

\*1: Short-edge feeding.

\*2: Short-edge feeding of A4 sheets from 1st paper tray, printer in fully ready condition. May vary depending on operating conditions and environment.

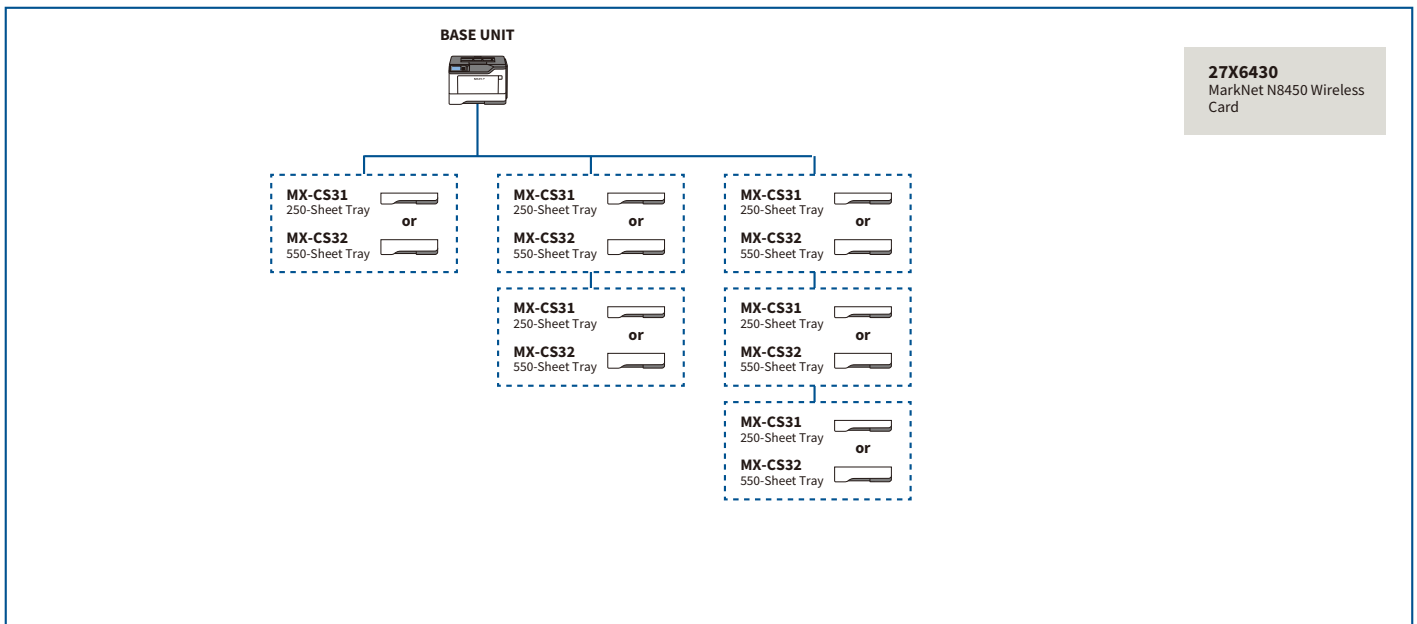
\*3: ISD capacity depends on procurement and sourcing status.

\*4: Optional.

• Design and specifications are subject to change without prior notice.

• Wi-Fi Direct is a registered trademark of Wi-Fi Alliance®. AirPrint, Apple, and Mac are trademarks of Apple Inc., registered in the US and other countries. Microsoft, Windows, and Windows Server are trademarks of the Microsoft group of companies. PCL is a registered trademark of Hewlett-Packard Company. PostScript is either a registered trademark or trademark of Adobe in the US and/or other countries. All other brand names and product names may be trademarks or registered trademarks of their respective owners.

## SYSTEM CONFIGURATION



Certain optional equipment may not be available in some areas.

Distributed by:

# SHARP